

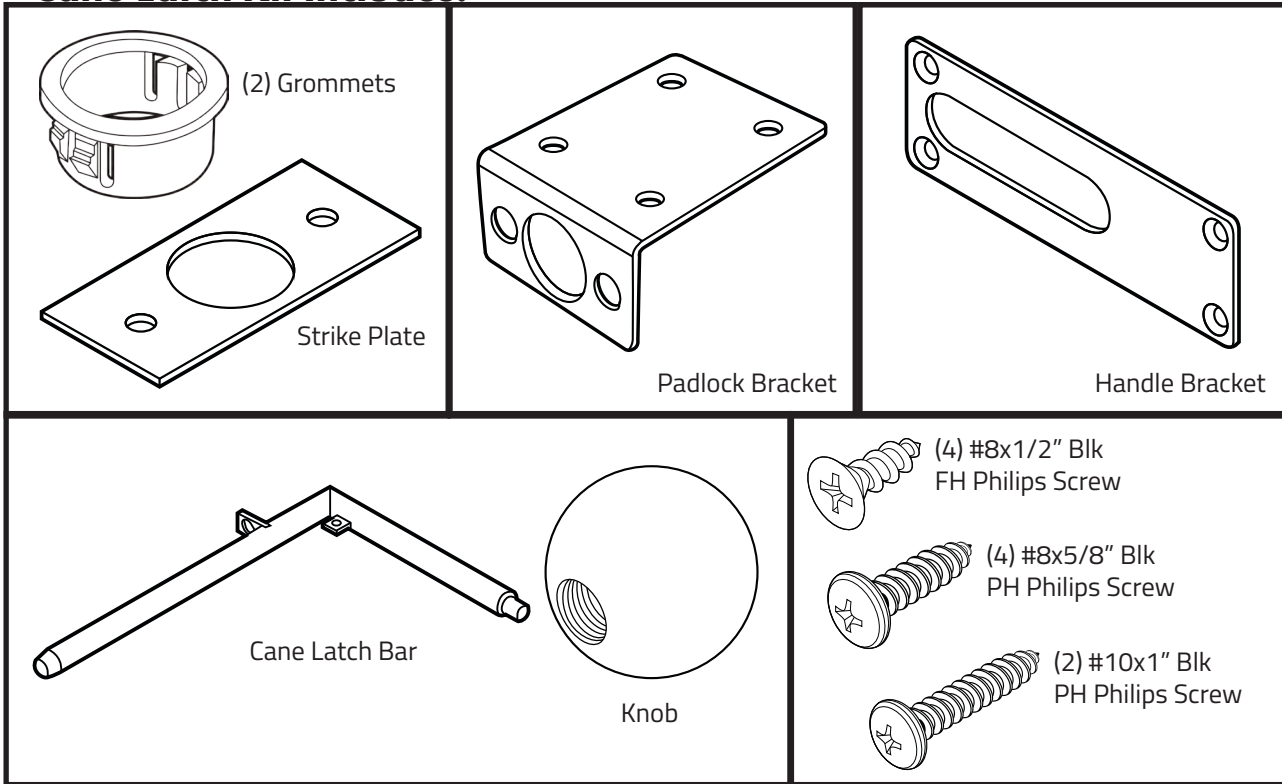
INSTRUCTION MANUAL
for Installing
CANE LATCH AND SECRET BOOK
TO INVISIDOOR

ID.LATCH-BOOK.08 and
ID.LATCH-CANE.08

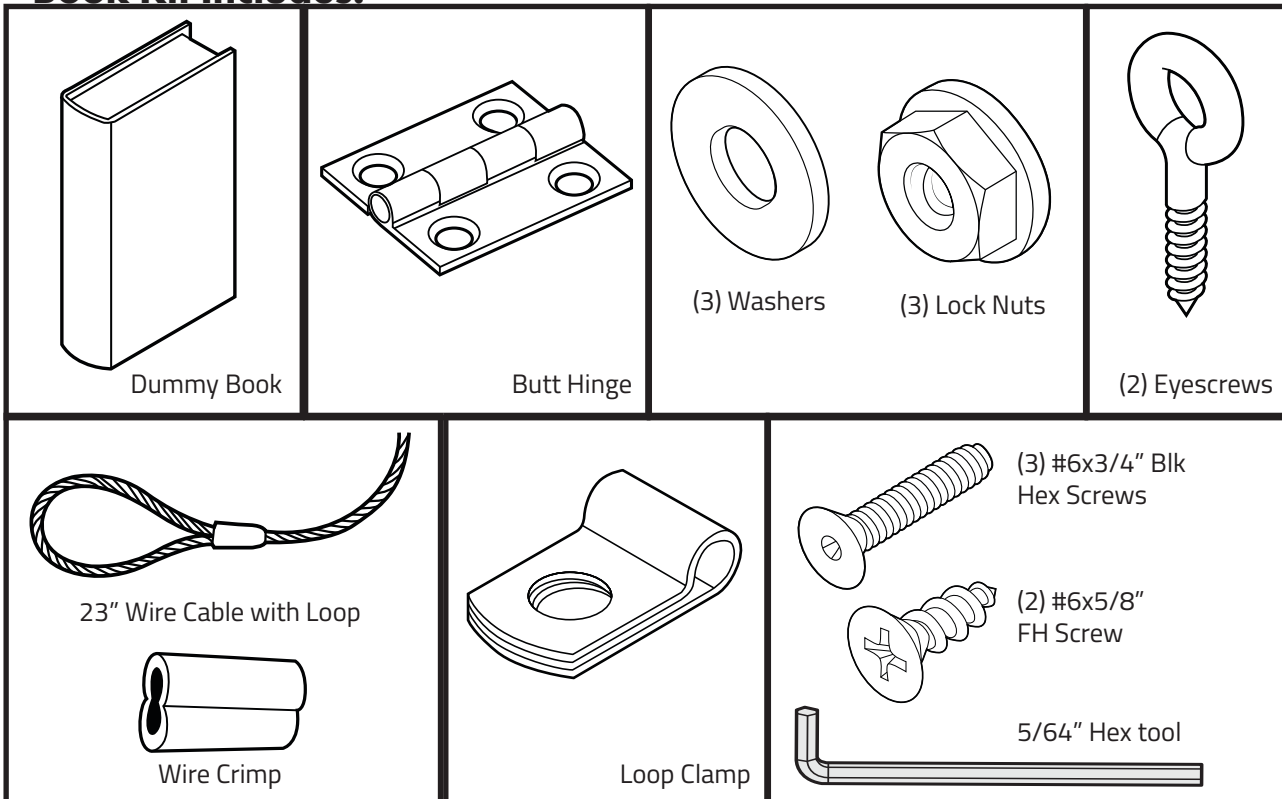


Instruction Manual for Cane Latch for Invisidoor®

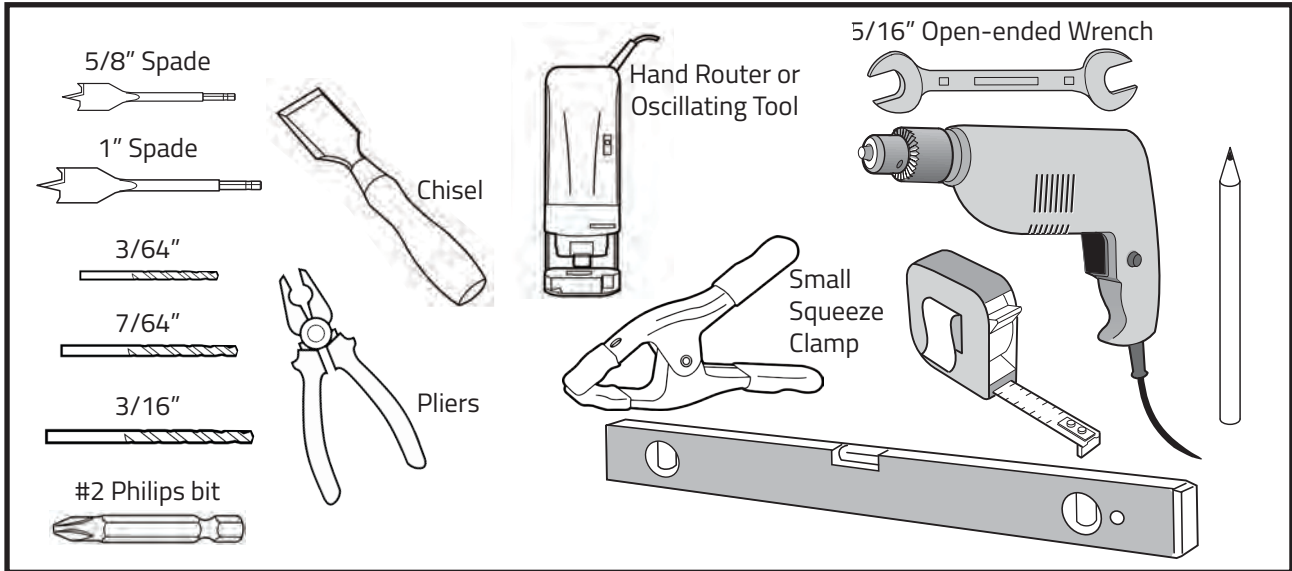
Cane Latch Kit Includes:



Book Kit Includes:



Installation Tools Needed:



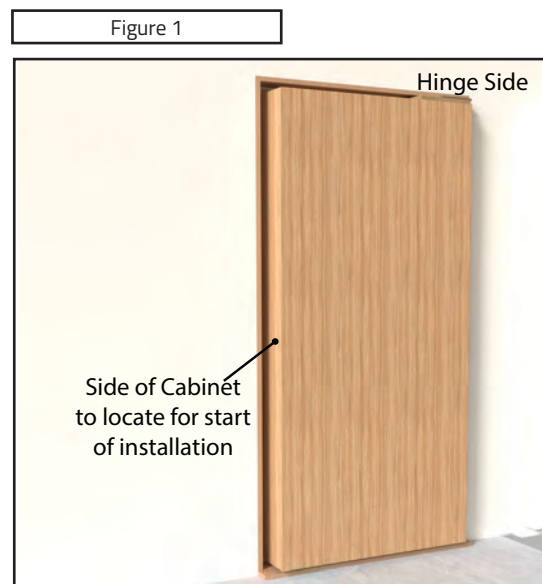
Application Notes:

- A. Cane Latch works for both inswing and outswing Invisidoors manufactured by CSH with a fixed shelf located at the standard dimension off the bottom. If your Invisidoor is custom and fixed shelf location is different than standard, modify the specified in hole locations off the bottom of the cabinet specified below. Latch may not install as intended if Invisidoor cabinet is manufactured and installed to different fixed shelf dimensions.
- B. Door must be installed per the Invisoor Hinge Kit instructions prior to Cane Latch installation.

Cane Latch Install Steps Start Below

Cane Latch Installation Steps

1. Looking at the side of the Invisidoor opposite the Hinge side, Open the Invisidoor and prop it open to work on the side of the cabinet (*see figure 1*). With a tape measure and pencil, mark a drill location 5.5" off the back of the cabinet and 29 3/8" from the bottom of the cabinet. This hole is critical to proper operation of the Cane Latch.



2. Using a stepped approach, at the marked location, drill a $\frac{1}{4}$ " through hole making sure the hole is straight and square to the cabinet (*see figure 2*). Using a $\frac{5}{8}$ " Spade Drill bit, slowly drill out the $\frac{1}{4}$ " hole to $\frac{5}{8}$ ", again making sure the hole is drilled straight and square to the panel. This hole serves as the guide hole for the latch. If the hole is not properly drilled straight, this hole can cause the Latch to bind during operation.
3. With the Cane Bar in hand, test fit the bar by running it in and out of the hole from inside the cabinet. If the Cane Bar is not easy to slide in and out, use some sandpaper wrapped around your finger to smooth out the hole so that the bar glides in the hole but does not have any play or wiggle room.
4. Once the bar operates properly in the hole, set it aside and prepare to cut slot for the handle side of the latch. Using the same height of the bottom of the cabinet as the hole, mark a point $29\frac{3}{8}$ " from the bottom of the cabinet and $7\frac{27}{32}$ " from the side of the cabinet (*see figure 3*). Drill a $\frac{1}{16}$ " through hole. At the same height from the bottom of the cabinet, mark and drill another $\frac{1}{16}$ " hole $2\frac{13}{16}$ " from the first hole.
5. Draw lines connecting the tops and bottoms of the two holes and cut out the slot along the established lines drawn using a hand router. This slot allows slide action of the Cane Latch Handle, but also allows enough room for the Cane Latch Bar to be pivoted into the first drilled hole. Install Grommet to Padlock Bracket as shown.
6. Take the Cane Latch Bar and Padlock Bracket. Slide the Cane Latch end with the tapered tip through the large grommeted hole in the Padlock bracket, making sure the end with the (4) holes is pointing to the 90° angle of the Cane Latch Bar (*see figure 4*). From the front of the cabinet, slide the Cane Latch Bar through the slot into the $\frac{5}{8}$ " hole. Make sure the Padlock Bracket stays against the bottom of the shelf as shown.

Figure 2

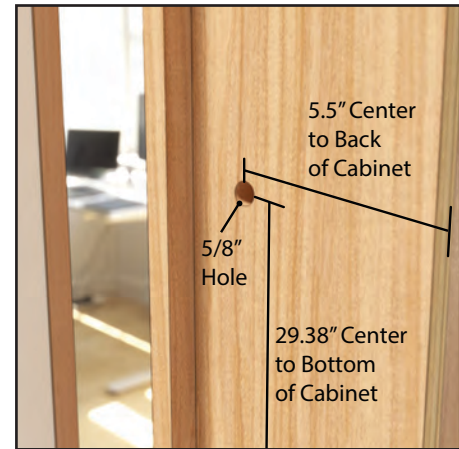
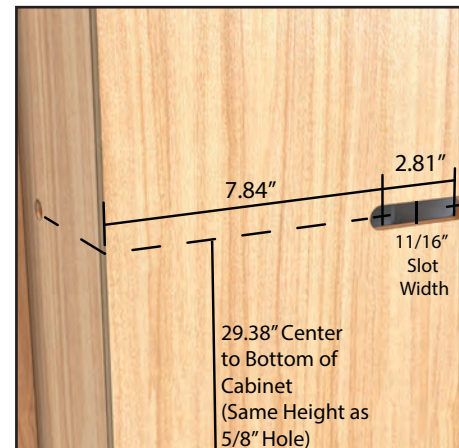


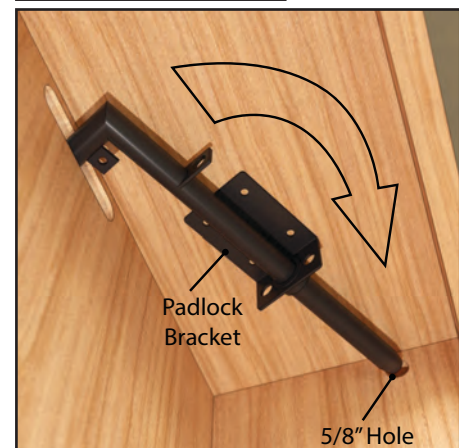
Figure 3



Installing the Grommet



Figure 4



7. Take the Handle Bracket and locate it on the back side of the cabinet over the slot (*see figure 5*), with the slot close to the mounting holes flush to the wood slot. Make sure the bracket is level, mark and pilot drill the (4) holes using a $\frac{7}{64}$ " Drill about $\frac{1}{4}$ " deep. Hand screw (4) #8x $\frac{1}{2}$ " Black Flat Head screws to mount plate. Install Knob to end of Cane Handle.
8. From inside the cabinet with the door still propped open away from the Jamb, make sure the Cane latch is fully engaged in the "lock" position with the handle end flush to the end of the slot and squared up to perpendicular first drilled hole (*see figure 6*). Make sure the Padlock bracket is flush against the Cane Latch Tab. Use a small Clamp to hold them in place while you mark (3) of the (4) visible mounting holes. Pilot drill the (3) exposed holes with the $\frac{7}{64}$ " drill bit $\frac{3}{8}$ " deep. Hand screw with (3) #8x $\frac{5}{8}$ " Black Pan Head screws. Check latch movement to make sure that the Cane Latch slides easily back and forth. Adjust the padlock bracket if needed to make sure the Cane Latch is gliding easily, squared up in the location when in the locked and unlocked position. Slide Latch to unlocked position and pilot drill and install last #8x $\frac{5}{8}$ " screw.

Figure 5

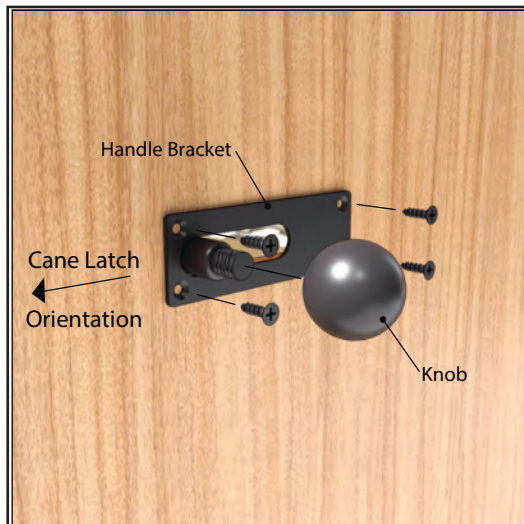


Figure 6



Figure 7

9. While the door is still ajar and the Latch is in fully locked position, ink or pencil the end of the Cane Latch Bar tip. Slide the latch to the unlock position and close the Invisidoor snug and tight as desired. While making sure the door is held in the closed position, slide the latch to lock position, bumping the Door Jamb and transferring the tip location to the Jamb (*see figure 7*). You should see a clear mark on the Jamb where to drill for the strike plate.

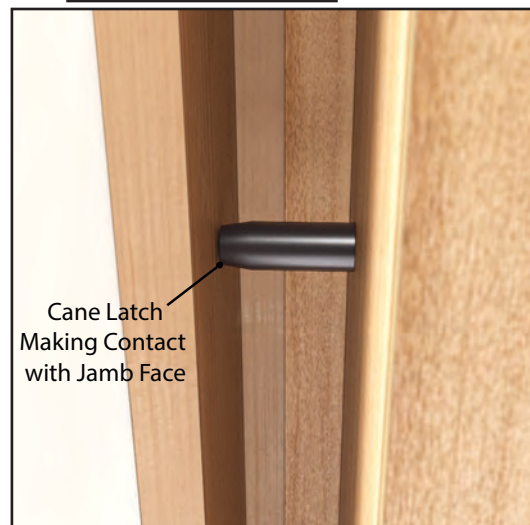


Figure 8



10. Prop the door back open and prepare to drill the strike plate hole starting with a power drill and $\frac{1}{4}$ " drill bit. Drill $\frac{3}{4}$ " Deep with the $\frac{1}{4}$ " drill bit in the center of the marked hole on the Jamb. Proceed to drill then with a 1" Spade Drill bit $\frac{3}{4}$ " deep (see figure 8).
11. With 1" hole cleared out, transfer holes from Strike Plate. Install Grommet to Strike Plate. Pilot drill $\frac{1}{8}$ " holes $\frac{5}{8}$ " deep and install #10x1" Black Philips Head Screws to secure Strike Plate.
12. Test Cane Latch with locking and unlocking from both sides of the door, making sure Latch slides easily and engages properly into strike plate. Consider adjusting Strike Plate screws to make Latch engage to hold door snugly in place in the closed position.
13. Install Spring if tension action is desired using needle nose pliers. (See figure 16 for installation location.)
14. Installation of Cane Latch is complete. Apply Bar Soap to any points of friction or

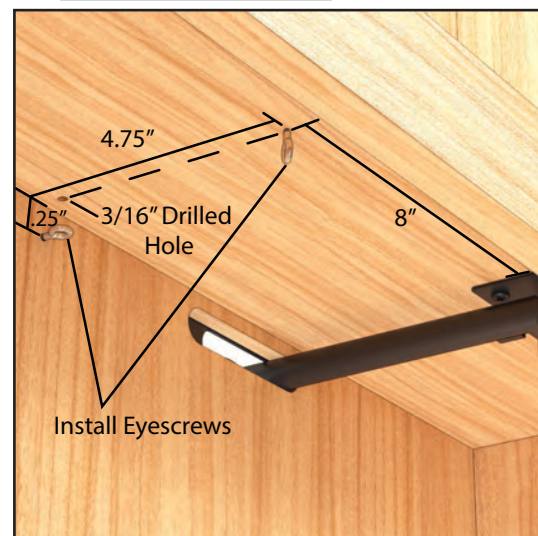
Book Pull Install Steps Start Below

unwanted noises.

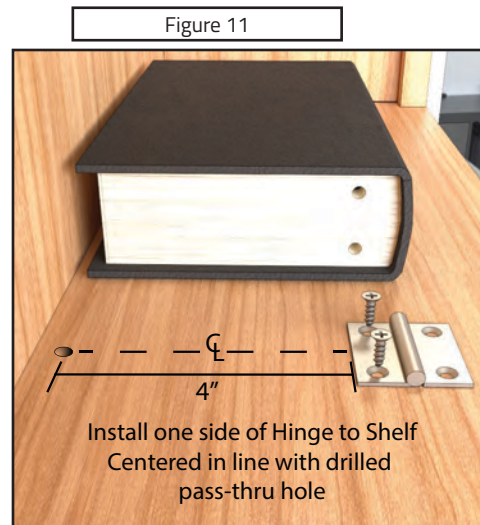
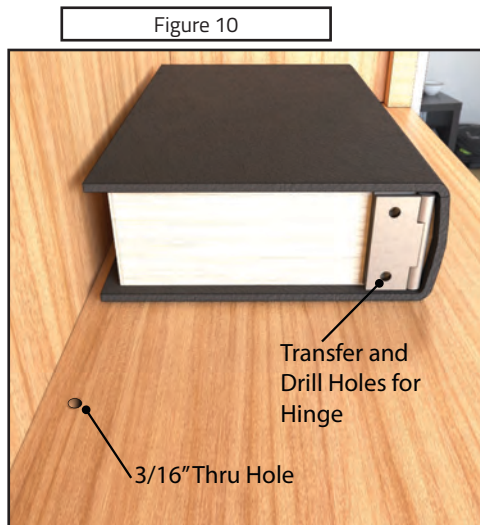
Book Pull Installation Steps

1. From under the fixed shelf, mark a spot $4\frac{3}{4}$ " from the back of the inside of the cabinet and 8" from the Padlock Bracket (see figure 9). With an Awl, punch location and hand screw thread deep. Use provided Hex key as a wrench if tightening by hand becomes difficult. Leave Eyescrew with the eye at 45° to the shelf or pointed to the Cane Handle slot (see figure 9).
2. Draw a line from that point back to the back wall of the cabinet 8" from the Padlock Bracket. From where the line ends come off the wall, make a mark $\frac{1}{2}$ " from the wall on the bottom of the fixed shelf. This will be the location for the hole for the Wire to pass through the shelf.
3. Due to the tight clearance from the back wall, use a cloth between the cabinet and the drill to prevent the drill from marring the cabinet. Attempt to drill the hole as straight as possible through the shelf. Make sure not to drill past the hole when breaking through to the opposite side.

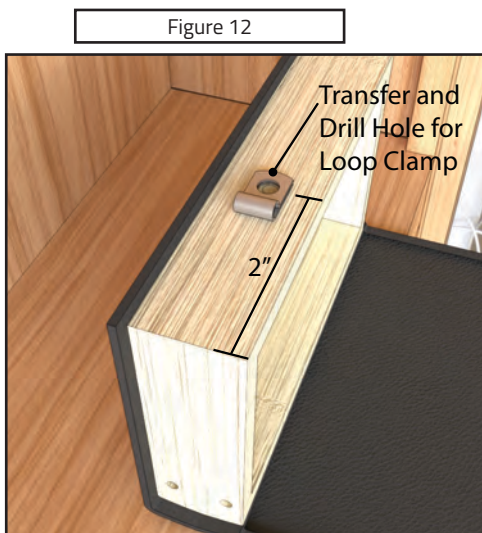
Figure 9



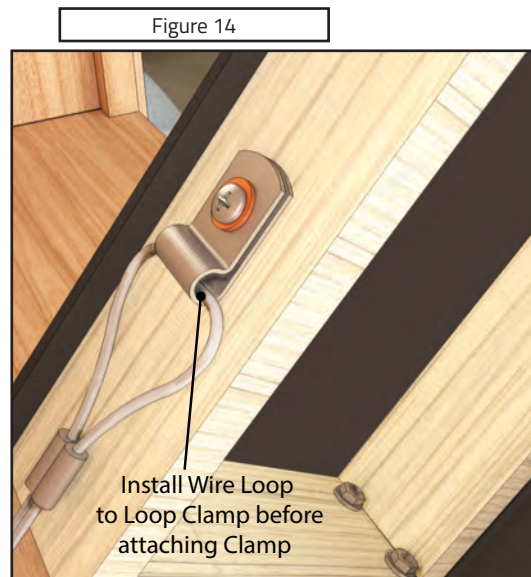
4. Inspect the hole from the top of the shelf and drill from the opposite side to straighten out the hole more using the cloth again to protect the back of the shelf.
5. Under the fixed shelf, on the back panel draw a line down from the through hole a $\frac{1}{4}$ " and punch with an Awl to install the other Eyescrew. Hand screw into place making sure not to go deeper than the $\frac{1}{2}$ " material (see figure 9). This will happen before you run out of visible thread.
6. Take the provided Dummy Book and place the Butt Hinge folded and against the Binding (see figure 10). Mark holes for hinge location on book bottom. Drill (2) $\frac{5}{32}$ " holes through bottom of book (see figure 10). Place Book with Hinge in place on shelf with back of book centered over through hole (see figure 11).



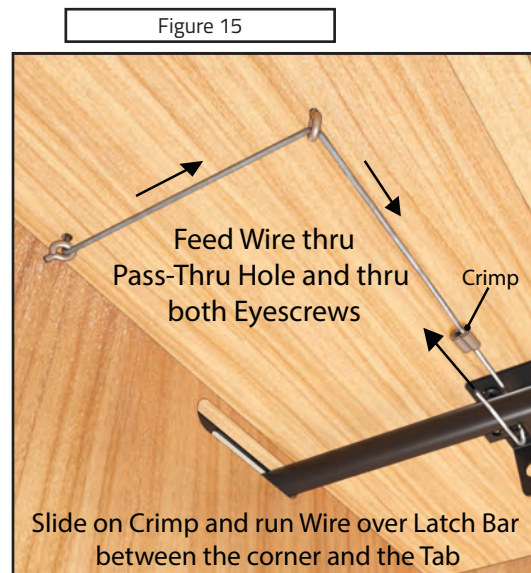
7. Lift book up leaving hinge in exact spot established in the previous step with front of hinge ~4" from through hole (see figure 11). Open hinge and mark holes on hinge closer to the back of the cabinet. Pilot drill with $\frac{3}{32}$ " drill bit down $\frac{3}{8}$ " and install (2) #6x $\frac{5}{8}$ " Flat Head Screws to secure Hinge.
8. Take book and drill $\frac{5}{32}$ " hole 2" from book bottom centered in back of book opposite binding side (see figure 12).



9. Install Book to Hinge using (2) #6x $\frac{3}{4}$ " Black Hex Machine Screws with a copper washer installed between the hinge and the book, capped with a Lock Nut from inside the Book side using $\frac{5}{64}$ " Hex Tool and open ended $\frac{5}{16}$ " wrench (see figure 13).
10. Slip Pre-crimped Wire Loop in provided Loop Clamp (see figure 14). Use #6x $\frac{3}{4}$ " Phillips Screw and Washer with Lock Nut to Attach Loop Clamp (see figure 14). Check to make sure the Book is fastened tight to the Hinge before moving onto the next step.



11. Run loose wire end from behind Book down through Pass thru Hole in Shelf. Underneath the Shelf, run wire through both Eyescrews. Slide provided Wire Crimp onto Wire (see figure 15). Run Wire up and over Cane Latch Bar between the Tab Weldment and inner corner of the Cane Bar (see figure 16). Run Wire around and back through Wire Crimp. Use Small Clamp to hold Latch in Locked position while you tighten wire to remove any excess slack in the Wire before you crimp Wire tight into place. Holding the Wire without slack, use Pliers to clamp crimp to hold wires into place. Tighten crimp with Pliers as hard as you can to make sure Crimp is providing adequate pressure to make sure Wire is crimped successfully. Crushing the ends of the Crimp onto the Wire is easier.
12. Install supplied Spring into the Padlock Side Hole and adjacent Tab with Hole on the Cane Latch Bar using needle nose pliers.



13. Test Latch action by opening and closing the door using the Book to disengage and Engage the Latch. If the Cane Latch has any resistance, the Latch will not engage properly. Inspect Wire movement for any unneeded tension or resistance. Apply Bar Soap to any points of friction or unwanted noises.
14. If the Latch is desired to be completely hidden and unseen. Consider installing a false bottom to the fixed shelf (see figure 17). Any ridged ¼" plywood cut to the size of the underside of the fixed shelf will fit. Install ¾" wood cleats inset ¼" from the bottom shelf edge all the way around the underside of the Shelf. Install with Brad Nails or putty over screws to complete the Hidden Latch look.

Figure 16

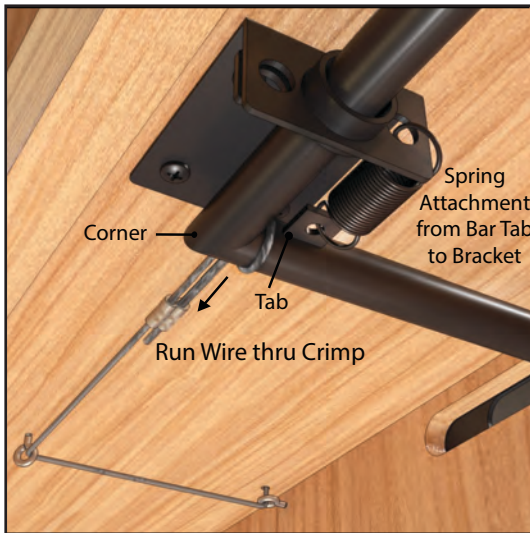
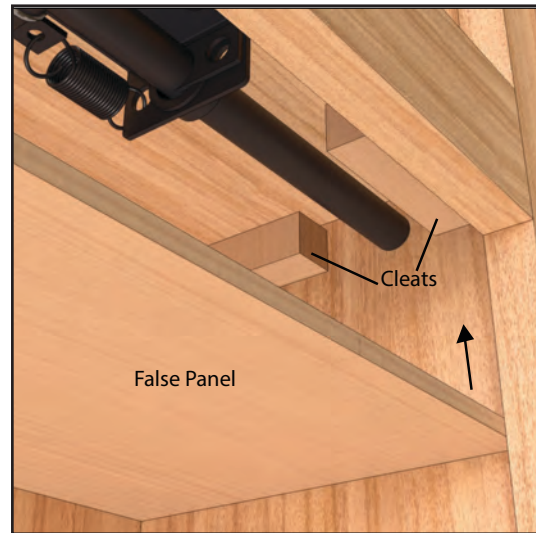


Figure 17



Invisidoor Application Images



Also available from CSH:



Mini Barn Door Hardware



Rolling Barn Door Hardware



Rolling Ladders and Ladder Hardware



📍 1170 Wauwatosa Rd.
Cedarburg, WI 53012

☎️ (262) 365-7960

🌐 cshardware.com